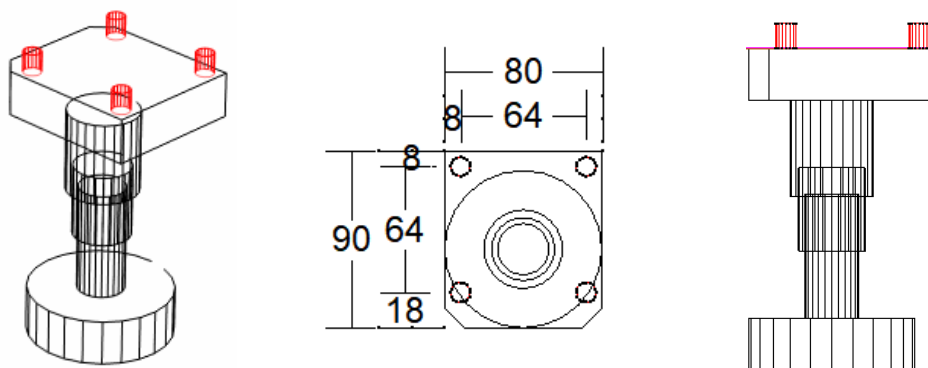


Hafele Plastic Legs User Guide.

Introduction

Overview

- This Package from Solid Setup adds Hafele plastic legs to cabinets and drills the cabinet deck.
- This package allows you to control the legs from the Job, Room, Cabinet and part level using editable attributes.
- The leg type used has the following dimensions and appearance.
- Leg Maximum height is 180mm and minimum height is 85mm
- **If Cabinet Toe Height is less than 85mm or more than 180mm – legs will NOT BE ADDED**



Included in This Package

User Created Standards

The Following UCS's are provided (ensure they are in this order once installed):

- | | |
|-----------------------------------|--|
| • { LEGS } -- Cab Attribute | Adds the cabinet attribute to the cabinets |
| • { LEGS } -- Add Deck Attributes | Adds attributes to the cabinet deck |
| • { LEGS } -- Add Legs to Cab | Adds the Plastic Legs to the cabinets |
| • { LEGS } -- Delete system | Deletes the system leg levelers |

Room Attributes

The Following system attributes are provided:

- | | |
|----------------------------|---------------------|
| • S_Room_Plastic_Legs | "Plastic Legs" |
| • S_Room_Plastic_Leg_Holes | "Plastic Leg Holes" |

Materials

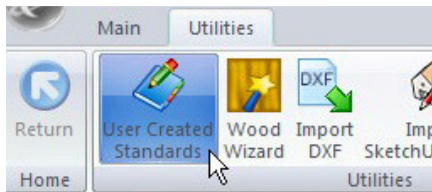
- | | |
|-----------------------|-------------------------------|
| • Plastic Leg Knockin | Hafele Item Number 637.93.407 |
| • Plastic Leg Screwon | Hafele Item Number 637.93.405 |

Default Settings

Setting Your Leg Defaults

The “{ LEGS } – Add Deck Attributes” UCS has 9 public variables.

- To edit them to change these variables go to the Utilities – Edit User Created Standards from the Room Plan or Elevation views



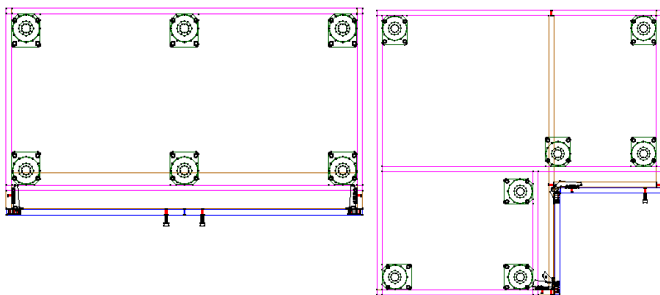
- Then click on the “{ LEGS } – Add Deck Attributes” UCS.
- On the top right hand side of the screen you will see the Public Variables list:

The values shown are our examples and are in millimeters. You can edit them to your preferences.

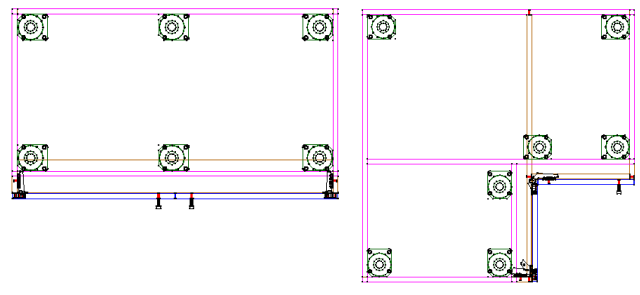
Prompt:	Value:	Description:
Cab width for middle leg 1	1200mm	Set width of cabinet to add 1 st middle row of legs
Cab width for middle leg 2	2000mm	Set width of cabinet to add 2nd middle row of legs
Cab width for middle leg 3	3000mm	Set width of cabinet to add 3rd middle row of legs
DW Route Width	50mm	Set Width of Dishwasher Deck Route
DW Route Depth	90mm	Set Depth of Dishwasher Deck Route
DW Route Gap	25mm	Set Gap to legs from Dishwasher Deck Route
DW Route Tool ID	0	Set Tool ID of Dishwasher Deck Route
DW Route X Pos	25mm	Set X Position of Dishwasher Deck Route
DW Route Z Pos	25mm	Set Z Position of Dishwasher Deck Route
Side Inset Option	Side Toe Thickness	Sets the side toe inset to the side toe material thickness
Side Inset Option	Side Inset Value	Sets the side toe inset to the “Side Inset Value” below:
Side Inset Value	8mm	Sets the side toe inset value if selected in “Side Inset Option”

- Then click on the “{ LEGS } – Add Legs to Cabinet” UCS.

Leg Type	Hafele Std Knockin Hafele Std Screwon	Choose knockin leg drilling and material Choose screwon leg drilling and material
Leg Rotate 90 Degrees?	True/False	Set default rotation of legs (see below)



Legs Rotate = False



Legs Rotate = TRUE

Room Attributes Usage

Functionality

The Room Attributes allows the Plastic Legs to be on or off from one Room to the next.

- Room Attributes are only visible in the sidebar of the Plan or Elevation view at the Room level when a **cabinet is not selected.**
- Room attributes can be overridden by any changes to the cabinet attributes or deck attributes.

Room Attribute List:

Prompt:	Value:	Description:
Plastic Legs	True	<u>Turns On/Off the Plastic Legs in the room</u>
Plastic Leg Holes	True	<u>Turns On/Off the Plastic Leg drilling in the room</u>

Cabinet Attributes Usage

Functionality

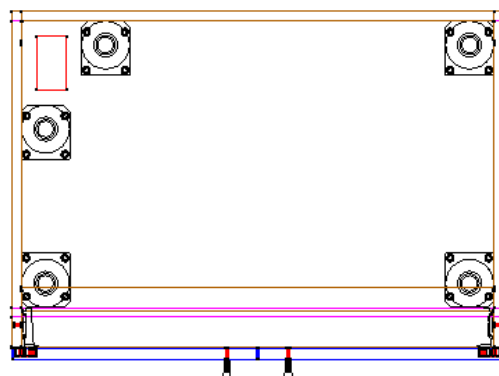
The Cabinet Attributes allows the Plastic Legs settings to be different from one Cabinet to the next, in the same room.

- Cabinet Attributes are only visible in the sidebar of the Plan or Elevation view at the Room level when a **cabinet is selected.**

Cabinet Attribute List:

Prompt:	Value:	Description:	
Plastic Legs?-->	Auto	<u>Plastic Legs are controlled by Room Attribute</u>	(All Cabinets)
	True	<u>Turns the Plastic Legs ON for the cabinet</u>	
	False	<u>Turns the Plastic Legs OFF for the cabinet</u>	
Plastic Legs DW Route?	L/R	Adds Dishwasher route to deck (see below image)	(Straight Cabinets)
Plastic Legs Inset Bck	16	Inset from back of cabinet to legs	(Straight Cabinets)
Plastic Legs Inset Bck L	16	Inset from back of cabinet to legs on Left back	(Corner Cabinets)
Plastic Legs Inset Bck R	16	Inset from back of cabinet to legs on Right back	(Corner Cabinets)

NOTE: The back inset value comes from the back toe skin thickness plus the back toe recess.



Dishwasher Route on Left Side automatically adds extra leg and moves corner leg

Deck Attributes Usage

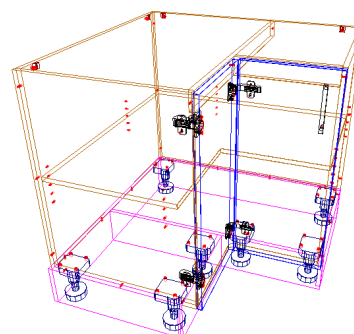
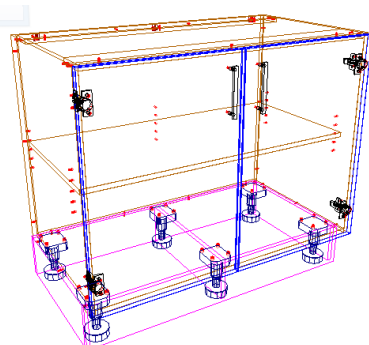
Functionality

The Deck Attributes allows the Plastic Legs to be moved or individually turned off for special situations where the standard position may interfere with plumbing or something else.

- Deck Attributes are only visible in the sidebar of the cabinet editor when the **deck is selected**.
- **To reset any of the deck attributes you must turn the Plastic Legs off and on at the cabinet level.**

Deck Attribute List:

Prompt:	Value:	Description:	
Leg Edit Position?	False	Shows/Hides following attributes	
Leg DW Route Depth	Value	Dishwasher Route Depth (front to back)	(Straight Cabinets)
Leg DW Route Gap	Value	Dishwasher Route Gap to legs	(Straight Cabinets)
Leg DW Route Width	Value	Dishwasher Route Width (left to right)	(Straight Cabinets)
Leg DW Route X Pos	Value	Dishwasher Route X Position (left to right)	(Straight Cabinets)
Leg DW Route Z Pos	Value	Dishwasher Route Z Position (front to back)	(Straight Cabinets)
Leg Inset Front	Value	Move front legs in/out	(All Cabinets)
Leg Inset Left	Value	Move left legs left/right	(All Cabinets)
Leg Inset Right	Value	Move right legs left/right	(All Cabinets)
Leg X Pos Row1	Value	Move Centre Row 1 left/right if present	(Straight Cabinets)
Leg X Pos Row2	Value	Move Centre Row 2 left/right if present	(Straight Cabinets)
Leg X Pos Row3	Value	Move Centre Row 3 left/right if present	(Straight Cabinets)
Leg Inset Back	Value	Move back legs in/out	(Straight Cabinets)
Leg Inset Back Lh	Value	Move back Left legs in/out	(Corner Cabinets)
Leg Inset Back Rh	Value	Move back Right legs in/out	(Corner Cabinets)
Leg Edit Qty?	False	Shows/Hides following attributes	
Leg On Back Lft	True	Turn Off/On Back Left Leg	(All Cabinets)
Leg On Back Rgt	True	Turn Off/On Back Right Leg	(All Cabinets)
Leg On Fnt Lft	True	Turn Off/On Front Left Leg	(All Cabinets)
Leg On Fnt Rgt	True	Turn Off/On Front Right Leg	(All Cabinets)
Leg On Back Cen1	True	Turn Off/On Back Center1 Leg if present	(Straight Cabinets)
Leg On Back Cen2	True	Turn Off/On Back Center2 Leg if present	(Straight Cabinets)
Leg On Back Cen3	True	Turn Off/On Back Center3 Leg if present	(Straight Cabinets)
Leg On Fnt Cen1	True	Turn Off/On Front Center1 Leg if present	(Straight Cabinets)
Leg On Fnt Cen2	True	Turn Off/On Front Center2 Leg if present	(Straight Cabinets)
Leg On Fnt Cen3	True	Turn Off/On Front Center3 Leg if present	(Straight Cabinets)
Leg On Back Cnr	True	Turn Off/On Back Corner Leg	(Corner Cabinets)
Leg On Fnt Cnr	True	Turn Off/On Front Corner Legs	(Corner 90 Cabinets)



Package Exclusions

Some of the items shown in various images contained in this document are not included in the PLASLEG Package, but come from other packages which are sold separately, as listed here:

- **BLMCTOP** “Blum Cliptop Hinges Visual” hinges package.

Any other items shown in any images such as cabinet screw holes, benchtop brackets, etc are also part of our other packages which are sold separately.

See our website for more detailed information on these packages.