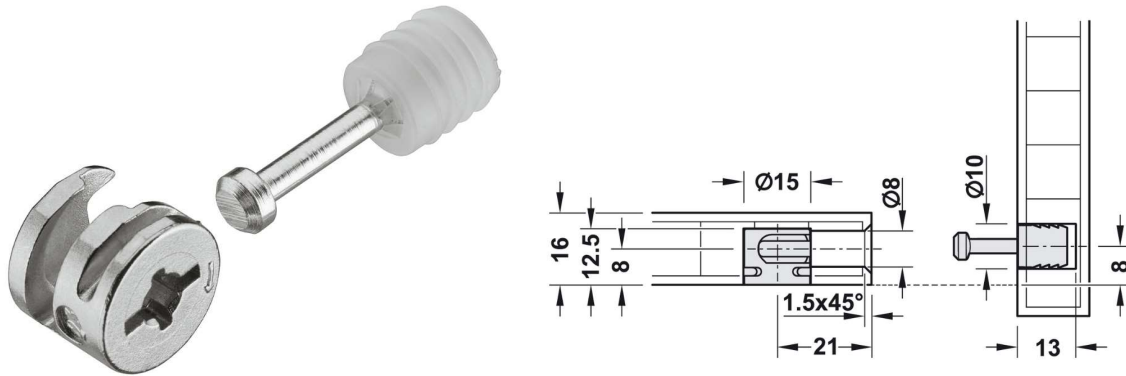


Hafele Drawer Front Connector User Guide.



Introduction

Overview

- The “Hafele Drawer Front Connector” package from Solid Setup adds the Hafele Connector 558.20.795 to Cabinet Vision Solid.
- It provides drilling for the Drawer/Rollout front and drawer/Rollout bottom parts, for CNC output.
- Adds up to 4 Connectors depending on drawer widths set by you.
- Edge drilling or face drilling is available as an option for the Cam Dowell.
- The bracket is added as a separate part and material for reporting purposes.
- The material description contains the Hafele order number after the # symbol.

Included in This Package

User Created Standards

- { DRAWS } -- Hafele Front Connector Adds Hafele Drawer Front Connector

Part

- DG_BRKT_FNT Drw Front Bracket type part used for Connector

Miscellaneous Materials:

- Hafele DF Connector Std Hafele DF Connector #558.20.795
- Hafele DF Connector Nest Hafele DF Connector #558.20.795

Room Note:

- Draw Hafele DF Connector True/False

Setup

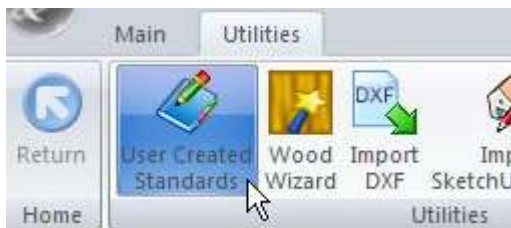
Room Note

- Use the room note to turn on/off all the Connectors in the room



UCS Public Variables

- The UCS Public Variables are used to configure this package
- To change these variables go to the Utilities – Edit User Created Standards from the Room Plan or Elevation views



- Then click on the “{ **DRAWS** } -- Hafele Front Connector” UCS. The Public Variables are at the top right of the screen.

Public Variables	
Minimum Width for 1	700mm
Minimum Width for 2	900mm
Minimum Width for 3	1200mm
Minimum Width for 4	1500mm
DG Thickness 1	29mm
DG Thickness 2	0
DG Thickness 3	0
DG Thickness 4	0
ROG Thickness 1	0
ROG Thickness 2	0
ROG Thickness 3	0
ROG Thickness 4	0
Cam Dowell Hole	Edge Horiz Bore
	Edge Horiz Bore
	Face 3x8mm Bores

- Minimum Width for 1** – drawers under this width will not receive the Connector. (Note that this width is the drawer box width not the drawer front width).
- Minimum Width for 2,3,4** – drawer box widths to receive 2 3 or 4 Connectors
- DG Thickness 1-4** – Only drawer guides with these thicknesses will receive the Connector. The 29mm size is for the Hafele Grass Novapro SCALA.
- ROG Thickness 1-4** – Only Rollout guides with these thicknesses will receive the Connector
- You can use the other sizes to have up to a total of 4 drawer and 4 rollout guide types that use this Connector

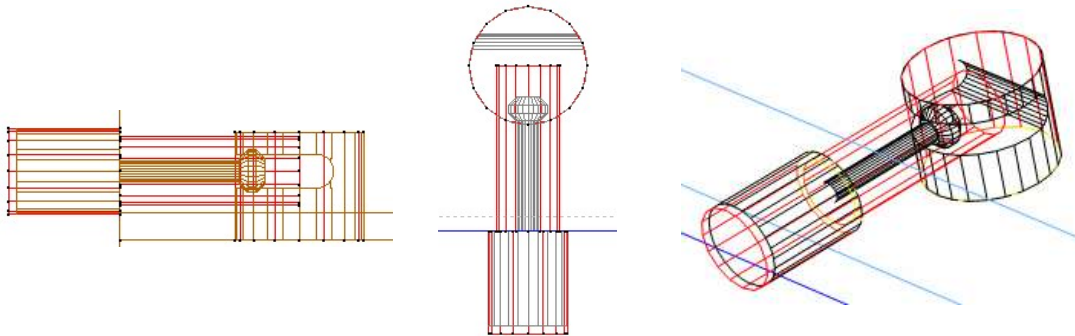
- The drawer guide side clearance is found in the material manager on the “Clearance” tab shown here:

		Material	Clearance	Guide	Finishes	Finish Types	Textures
ID	Name	Side Clearance	Minimum Belo...	Minimum Abov...			
3323	Npro Scala Ice 40kg 090Cstlx270	29	8	8.5			
3324	Npro Scala Ice 40kg 090Cstlx300	29	8	8.5			
3325	Npro Scala Ice 40kg 090Cstlx350	29	8	8.5			
3326	Npro Scala Ice 40kg 090Cstlx400	29	8	8.5			

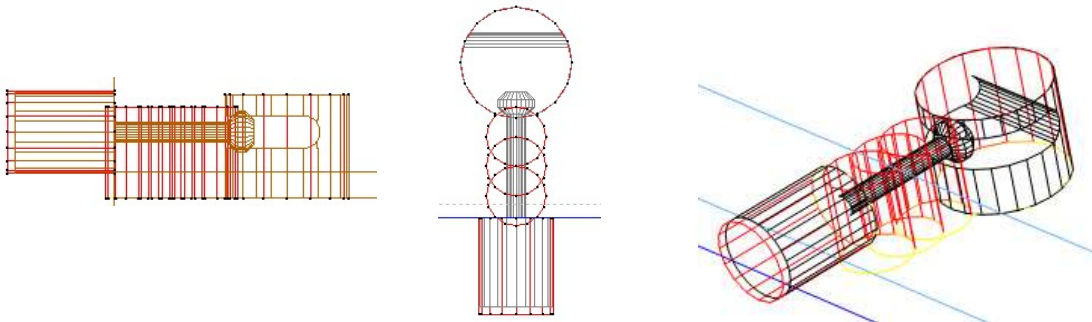
Cam Dowell Hole Options

- **Cam Dowell Hole** – Choose between “Edge Horiz Bore” or “Face 3x8mm Bores”

Edge Horiz Bore – this option will drill an 8mm diameter horizontal hole in the front edge of the drawer bottom for the cam pin



Face 3x8mm Bores – this option will drill 3x8mm diameter vertical bores in the bottom face of the drawer bottom for the cam pin – use this option for nested based where no edge boring is possible.



Once you have changed these values to your requirements, close the UCS editor.

Tools Required

- 15mm vertical drill bit for the cam or a suitable router bit will be used automatically instead.
- 10mm vertical drill bit for the cam pin hole in the back face of the drawer front.
- 8mm horizontal drill bit for the edge cam dowell hole in the front edge of the drawer bottom -OR- 8mm vertical drill bit for the cam dowell holes in the bottom face of the drawer bottom

Hafele Connector Usage

Drawer Requirements.

For the Connector to appear on a drawer bottom the following conditions must be met

- Drawer Box Width must greater than the width specified in the '**Minimum Box Width**' Variable (See Above).
- Drawer Guide Thickness must match one of the 4 options specified above.
- The Connector will then be added to the center of the drawer front, under the drawer bottom.
- The "**Hafele Front Connector?**" attribute will also be added to the drawer bottom (BBT), set to "**TRUE**".
- The attribute can then be changed to **False** to turn off the Connector on any individual drawer bottom.
- (You must be in the orthographic or "Smiley" views to click on the bottom (BBT) and see the attribute)

Package Exclusions

There may be some items shown in various images contained in this document which are not included in this Package. Any items not specifically mentioned in this guide are part of our other packages which are sold separately.

See our website for more detailed information on these packages.