

# Lincoln Sentry Drawer Support L Bracket User Guide.



## Introduction

### Overview

- The “Lincoln Sentry Drawer Support L Bracket” package from Solid Setup adds the Lincoln Sentry support bracket number # 1283612 to Cabinet Vision Solid.
- It provides drilling for the Drawer front and drawer bottom parts, for CNC output.
- Adds up to 4 stabilizers depending on drawer widths set by you.
- *(You can change the drilling diameters and depths of the screw holes.)*
- The bracket is added as a separate part and material for reporting purposes.
- The material description contains the Lincoln Sentry order number after the # symbol.

## Included in This Package

### User Created Standards

- { DRAWS } -- Lincoln Drawer Support Bracket      Adds Lincoln Sentry Drawer Support Bracket

### Part

- DG\_BRKT\_FNT      Drw Front Bracket type part used

### Miscellaneous Material:

- Drawer Support L Bracket      Drawer Support L Bracket #1283612

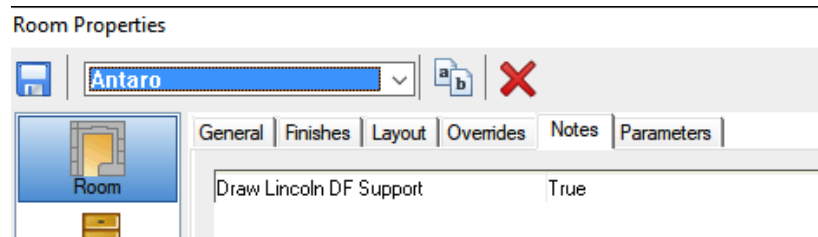
### Room Note:

- Draw Lincoln DF Support      True/False

## Setup

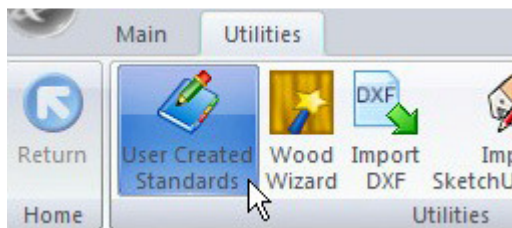
### Room Note

- Use the room note to turn on/off all the stabilizers in the room



### UCS Public Variables

- The UCS Public Variables are used to configure this package
- To change these variables go to the Utilities – Edit User Created Standards from the Room Plan or Elevation views



- Then click on the “{ **DRAWS** } -- Lincoln Drawer Support Bracket” UCS. The Public Variables are at the top right of the screen.

Public Variables	
Minimum Width for 1	700mm
Minimum Width for 2	900mm
Minimum Width for 3	1200mm
Minimum Width for 4	1500mm
Screw Depth	5mm
Screw Diameter	3mm
Guide Thickness 1	37.5mm
Guide Thickness 2	17.5mm
Guide Thickness 3	0
Guide Thickness 4	0

- **Minimum Width for 1** – drawers under this width will not receive the bracket. (Note that this width is the drawer box width not the drawer front width).
- **Minimum Width for 2,3,4** – drawer box widths to receive 2 3 or 4 brackets
- **Guide Thickness 1-4** – Only drawer guides with these thicknesses will receive the bracket. The 37.5 size is for the Blum Antaro/Intivo drawer guides.
- You can use the other 3 sizes to have up to a total of 4 drawer guide types that use this bracket
- The drawer guide thickness is found in the material properties under the “**Clearance**” tab shown here:

Estimate	True
Load Model	True
+ Guide	
- Clearance	
Side Clearance	37.50
Minimum Below Box	9.50
Minimum Above Box	3
+ Layer - Assembly Member	
+ Layer - Guide Side	

- **Screw Depth** – Set the depth of the drawer bottom and front screw holes
- **Screw Diameter** – Set the diameter of the drawer bottom and front screw holes
- If you are using imperial sizes simply replace the whole **3mm** with the imperial measurement instead.
- E.g.: **3mm** might become **1/8**
- Change the **Bottom Screw Holes** value to **0** if you normally do not want to drill drawer bottom.

Once you have changed these values to your requirements, close the UCS editor.

## Tools Required

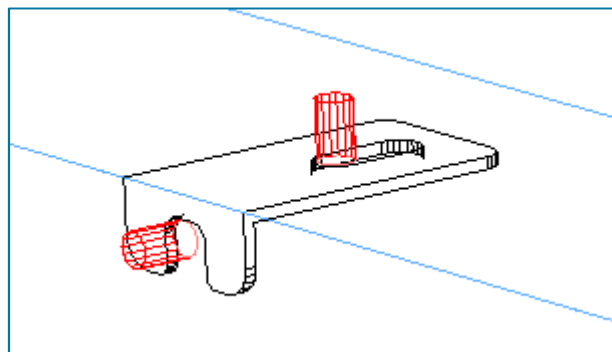
- The drill diameters you choose in the UCS Public Variables above are required for this package to work. You must have these tool diameters in your tool catalog and in your machine.

## Lincoln Sentry Support L Bracket Usage

### Drawer Requirements.

For the Stabilizer to appear on a drawer bottom the following conditions must be met

- Drawer Box Width must greater than the width specified in the '**Minimum Box Width**' Variable (See Above).
- Drawer Guide Thickness must match one of the 4 options specified above.
- The bracket will then be added to the center of the drawer front, under the drawer bottom.
- The "**Drawer Support L Brkt?**" attribute will also be added to the drawer bottom (BBT), set to "**TRUE**"
- The attribute can then be changed to **False** to turn off the stabilizer on any individual drawer bottom.
- (You must be in the orthographic or "Smiley" views to click on the bottom (BBT) and see the attribute)



## Package Exclusions

There may be some items shown in various images contained in this document which are not included in this Package. Any items not specifically mentioned in this guide are part of our other packages which are sold separately.

See our website for more detailed information on these packages.