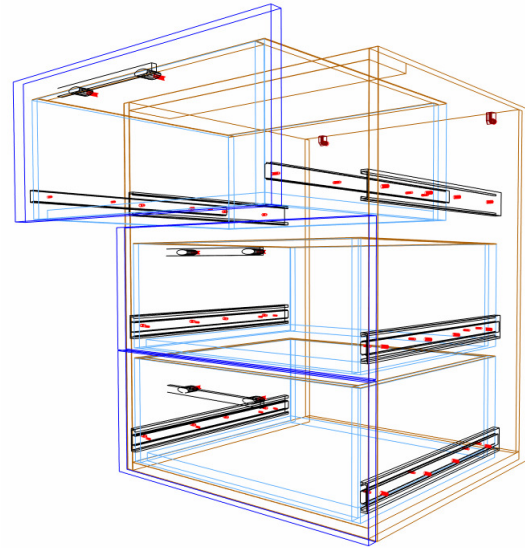
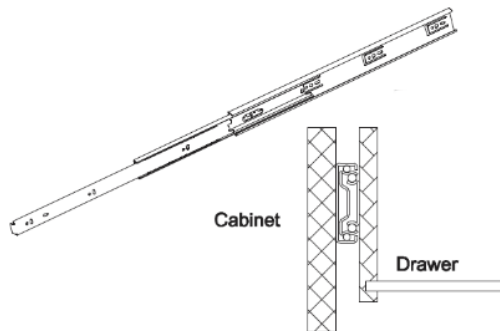


Kingslide 3301 User Guide.



Introduction

Overview

- The 'Kingslide 3301 Package' from Solid Setup adds the Kingslide 3301 runners to Cabinet Vision Solid.
- It provides drilling in the drawer/rollout sides and cabinet ends for CNC output.
- The runners are added as a separate parts and materials for reporting purposes.
- All material descriptions contain the Kingslide order number after the # symbol.

Included in This Package

Drawer Guide Schedule:

- Kingslide 3301

Drawer Guide Materials:

Kingslide 3301 250mm (pr) #3301-250
Kingslide 3301 300mm (pr) #3301-300
Kingslide 3301 350mm (pr) #3301-350
Kingslide 3301 400mm (pr) #3301-400
Kingslide 3301 450mm (pr) #3301-450
Kingslide 3301 500mm (pr) #3301-500
Kingslide 3301 550mm (pr) #3301-550

Kingslide 3301 600mm (pr) #3301-600
Kingslide 3301 650mm (pr) #3301-650
Kingslide 3301 700mm (pr) #3301-700
Kingslide 3301 750mm (pr) #3301-750
Kingslide 3301 800mm (pr) #3301-800
Kingslide 3301 900mm (pr) #3301-900

User Created Standards

The Following UCS's are provided

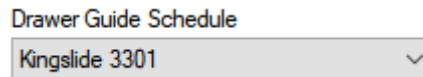
- { DRAWS } -- Kingslide 3301 Runners Adds the drawer box drilling intellij and drawer side dado.

3301 Usage

Menu Selections.

To use the 3301 drawers in a job you must make the following selections:

- In the Construction tab should have the **Drawer Box** and **Rollouts** set to any applicable 4 or 5 piece drawer.
- In the Hardware tab, choose the Kingslide 3301 guide schedule:



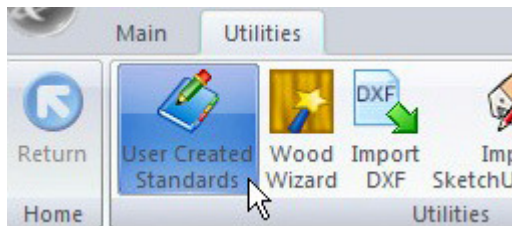
- In the Materials tab, you can choose any of the Drawer Box or Roll Out schedules you have set up for other drawers as long as the materials selected are suitable for Kingslide 3301.

Drilling Setup

UCS Public Variables

There are 3 Public Variables in the “{ **DRAWS** } -- **Kingslide 3301 Runners** “ UCS

- To change these variables go to the Utilities – Edit User Created Standards from the Plan or Elevation views



- Then click on the “{ **DRAWS** } -- **Kingslide 3301 Attributes**” UCS
- On the top right hand side of the screen you will see the Public Variables lists:

Public Variables	
Guide Box Holes Depth	12mm
Guide Box Holes DIA	3mm
Guide Box Holes Position	26mm

- Guide Box Holes Depth** = Depth of Holes in the sides of the Drawer or Rollout.
- Guide Box Holes DIA** = Diameter of Holes in the sides of the Drawer or Rollout.
- Guide Box Holes Position** = Distance to the front Hole in the sides of the Drawer or Rollout.

Package Exclusions

Some of the drawer drilling shown in various images contained in this document are not included in the Kingslide 3301 Visual Package, but come from other packages which are sold separately.

Any other items shown in any images such as cabinet screw holes, benchtop brackets, plastic legs etc are also part of our other packages which are sold separately.

See our website for more detailed information on these packages.